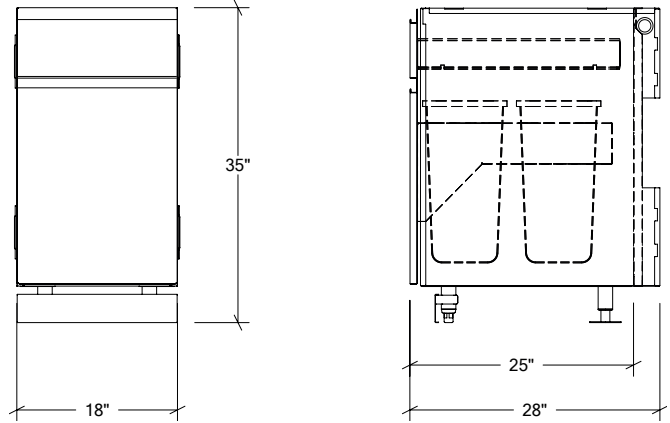


OUTDOOR KITCHEN CABINETS IN STAINLESS STEEL

## HROK-STTR-800280 | LINE

18" Recycling Pull-Out cabinet with top drawer



### Specifications

Collection:	LINE
Width:	18"
Depth:	28"
Material:	Stainless Steel 304
Thickness:	18 ga
Finish:	Brushed
Nbr doors / drawers	2
Hinges Position:	n/a
Handle:	Standard
Installation:	Between Cabinets
Packing dimensions:	32 1/4" x 37 3/8" x 22 1/4"

### Recommended accessories

Boards/tray Holder	HROK-ACC-805007
--------------------	-----------------

### Features

- Cabinet from the LINE collection showcasing an integrated handle design that accentuates the surfaces and volumes elegance
- Pull-out recycling module
- Top drawer to keep utensils, bags and other accessories easily accessible
- Soft-close full extension slides for soft and quiet closing of cabinets
- Self-standing cabinets that can be installed in island (option: closed back), backed to a wall or recessed
- Modular system gives the flexibility to create the ideal outdoor kitchen
- Simplified clip system for cabinet assembly
- Weather resistant cabinet due to efficient rubber gasket system on doors
- Lock available as an option to secure the contents of cabinets and ensure a foolproof closure
- Ambient lighting integrated at toe-kick optional
- Distinct cabinets functional space and services space (plumbing, electricity, gas, ...) thanks to the double-back construction
- Easy installation of your choice of countertop thanks to the solid top of the cabinets (work surface not included)
- Elegant brushed finish
- Included with cabinet: plastic bins 36L (2) clip-on toe-kick
- Easy maintenance thanks to sanitary standards inspired design without hard to reach corners
- Superior corrosion resistance: Grade 304 stainless steel (18/10) (option: grade 316 (recommended for salt environment))
- Soundproofing / insulation of front doors and panels reducing sound at closing
- Thin side structure results in optimized clear opening width
- Adjustable stainless steel feet, 2 of which allow anchoring on the ground
- Delivered fully assembled
- Made by hand in Canada

### Warranty

Home Refinements offers a LIMITED LIFETIME WARRANTY on the fixed components of its stainless steel cabinets as well as a 2-YEARS LIMITED WARRANTY for all mobile parts and hardware (Hinges, slides, locks) against defects of material and workmanship all of which is applied following the purchase date. This warranty is limited to defects or damages resulting from a normal residential use. For further details on our product warranty, please refer to our catalog or Web site.

### Available options

