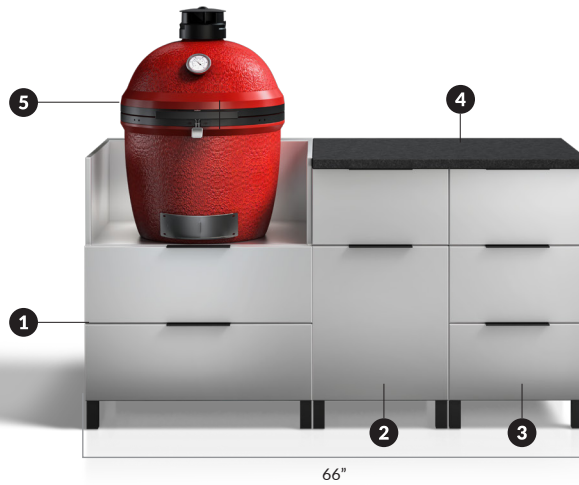


STAINLESS STEEL OUTDOOR KITCHEN SET

## HR-ESKCRD-N | ESSENCE

SET OF 3 MODULES, CHARCOAL GRILL



### Specifications

Collection	Nature
Length	66"
Height	36"
Depth	25 1/2"
Material	Stainless Steel 304
Thickness	18ga
Finish	Brushed

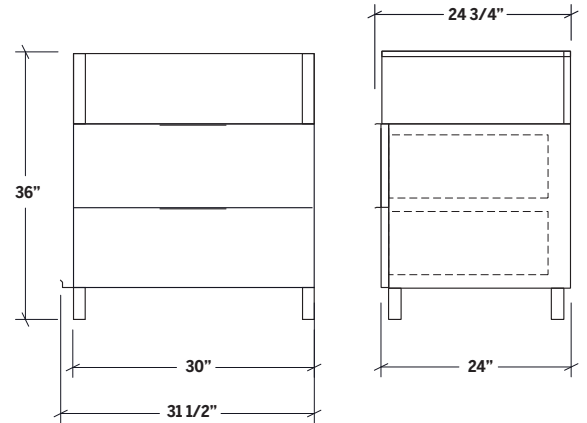
This kit included:

ID	ITEM	DESCRIPTION	LENGTH	QUANTITY
1	HR-ESGRC30CL2-N	Charcoal Grill Base Cabinet 2 drawers with stand	30 "	1
2	HR-ESSTR18-N	Recycling Pull-Out cabinet	18 "	1
3	HR-ESST3D18-N	Storage Cabinet 3 drawers	18 "	1
4	HR-ESCTGL36-N	Black granit countertop	36 "	1
5	KJ23NRHC	KAMADO JOE Classic II	30"	1

STAINLESS STEEL CABINETS

## HR-ESKGRC30A-N | ESSENCE

CHARCOAL GRILL BASE CABINET 2 DRAWERS WITH STAND



### Specifications

Collection	Nature
Width	30"
Depth	24"
Material	Stainless Steel 304
Thickness	18 ga
Finish	Brushed
Nbr doors / drawers	2
Hinges Position	0
Handle	N/A
Installation	Self-Standing

### Features

- Charcoal grill cabinet set including base and stand.
- Two (2) drawers perfect to store cooking tools, grill equipment and a charcoal bag.
- Modular system to optimize space and create a personalized outdoor kitchen area.
- Self-standing cabinet finished on all 4 sides providing flexible placement in island kitchen style or simply leaned against a wall.
- ESSENCE collection cabinets for a refined and unified look.
- Elegant brushed finish that matches grills and appliances.
- Optimal air circulation from back, bottom and sides of the cabinet.
- Soft-close hardware for soft and quiet closing of cabinets.
- Superior corrosion resistance thanks to commercial grade 18 gauge 304 (18/10) stainless steel.
- Environmentally friendly product made with 100% recyclable stainless steel.
- Modules are delivered fully assembled.
- Proudly designed and made by hand in Canada.
- **WARNING** : Refer to the manufacturer's documentation to confirm the recommended clearance for installing the grill in a covered environment or near surfaces.

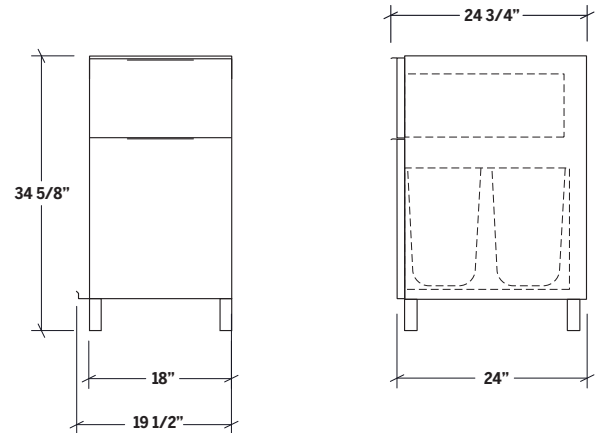
### Warranty

Home Refinements offers a LIMITED LIFETIME WARRANTY on the fixed components of its stainless steel cabinets as well as a 2-YEARS LIMITED WARRANTY for all mobile parts and hardware (Hinges, slides, locks) against defects of material and workmanship all of which is applied following the purchase date. This warranty is limited to defects or damages resulting from a normal residential use. For further details on our product warranty, please refer to our catalog or Web site.

STAINLESS STEEL CABINETS

## HR-ESSTTR18-N | ESSENCE

RECYCLING PULL-OUT DRAWER CABINET



### Specifications

Collection	Nature
Width	18"
Depth	24"
Material	Stainless Steel 304
Thickness	18 ga
Finish	Brushed
Nbr doors / drawers	2
Hinges Position	0
Handle	N/A
Installation	Self-Standing

### Features

- Recycling pull-out drawer cabinet with two (2) plastic bins for recycling and household garbage. Integrated drawer perfect to store garbage bags and other accessories.
- Modular system to optimize space and create a personalized outdoor kitchen area.
- Self-standing cabinet finished on all 4 sides providing flexible placement in island kitchen style or simply leaned against a wall.
- ESSENCE collection cabinets for a refined and unified look. Elegant brushed finish that matches grills and appliances.
- Soft-close hardware for soft and quiet closing of drawers.
- Superior corrosion resistance thanks to commercial grade 18 gauge 304 (18/10) stainless steel.
- Environmentally friendly product made with 100% recyclable stainless steel.
- Modules are delivered fully assembled.
- Proudly designed and made by hand in Canada.

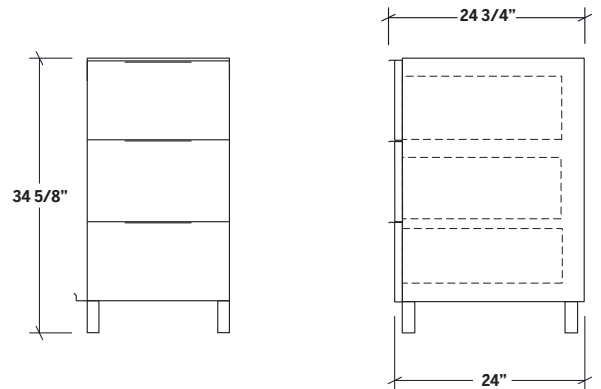
### Warranty

Home Refinements offers a LIMITED LIFETIME WARRANTY on the fixed components of its stainless steel cabinets as well as a 2-YEARS LIMITED WARRANTY for all mobile parts and hardware (Hinges, slides, locks) against defects of material and workmanship all of which is applied following the purchase date. This warranty is limited to defects or damages resulting from a normal residential use. For further details on our product warranty, please refer to our catalog or Web site.

STAINLESS STEEL CABINETS

## HR-ESST3D18-N | ESSENCE

STORAGE CABINET 3 DRAWERS



### Specifications

Collection	Nature
Width	18"
Depth	24"
Material	Stainless Steel 304
Thickness	18 ga
Finish	Brushed
Nbr doors / drawers	3
Hinges Position	0
Handle	N/A
Installation	Self-Standing

### Features

- Three (3) drawers spacious cabinet storage ideal for your dinnerware and utensils.
- Modular system to optimize space and create a personalized outdoor kitchen area.
- Self-standing cabinet finished on all 4 sides providing flexible placement in island kitchen style or simply leaned against a wall.
- ESSENCE collection cabinets for a refined and unified look. Elegant brushed finish that matches grills and appliances.
- Soft-close hardware for soft and quiet closing of drawers.
- Superior corrosion resistance thanks to commercial grade 18 gauge 304 (18/10) stainless steel.
- Environmentally friendly product made with 100% recyclable stainless steel.
- Modules are delivered fully assembled.
- Proudly designed and made by hand in Canada.

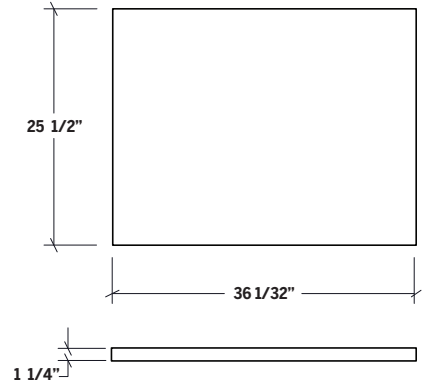
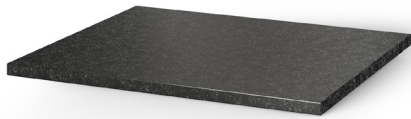
### Warranty

Home Refinements offers a LIMITED LIFETIME WARRANTY on the fixed components of its stainless steel cabinets as well as a 2-YEARS LIMITED WARRANTY for all mobile parts and hardware (Hinges, slides, locks) against defects of material and workmanship all of which is applied following the purchase date. This warranty is limited to defects or damages resulting from a normal residential use. For further details on our product warranty, please refer to our catalog or Web site.

STAINLESS STEEL CABINETS

## HR-ESCTGL36-N | ESSENCE

BLACK GRANIT COUNTERTOP



### Specifications

Collection	Nature
Width	36"
Depth	25 1/2"
Thickness	1 1/4"
Material	Cambrian Black Granit
Finish	Antique
Installation	Assembly to Base

### Features

- Convenient granit countertop perfect for outdoor area.
- Modular system to be installed with ESSENCE cabinet.
- Long-lasting and easy maintenance.
- Proudly designed and made in Canada.

### Warranty

Home Refinements offers a LIMITED LIFETIME WARRANTY on the fixed components of its stainless steel cabinets as well as a 2-YEARS LIMITED WARRANTY for all mobile parts and hardware (Hinges, slides, locks) against defects of material and workmanship all of which is applied following the purchase date. This warranty is limited to defects or damages resulting from a normal residential use. For further details on our product warranty, please refer to our catalog or Web site.